

# T73



***SYNTHETIC MANUAL  
DISASSEMBLY OF THE AR PLATFORM  
MULTICALIBER***

[www.tactical73.com](http://www.tactical73.com)

# TACTICAL 73

Custom Weapons Manufacture Made in Italy

BASIC OPERATIONS  
FOR ORDINARY MAINTENANCE  
OF AR PLATFORMS

GUN and RIFLE calibers



## ANNOTATION:

This manual illustrates the basic disassembly of a TACTICAL73 rifle mod. TAC9 in caliber 9x21 but the operations are to be considered valid, in substance, also for the others main gauges on the AR platform.

The TACTICAL73 must not be held responsible for incorrect interpretations of this summary manual of ordinary maintenance.

**If in doubt, always consult an expert gunsmith for help and information.  
ALWAYS HAVE MAXIMUM ATTENTION HANDLING WEAPONS**



# **! CAUTION !**

**REMEMBER: the most dangerous weapon is the one we think is unloaded!**

**Before starting any type of maintenance or disassembly, you must be sure that the weapon is discharged by implementing the known safety procedures:**

- **point the weapon in a safe direction**
- **keep your finger away from the trigger**
- **remove the charger if it is inserted**
- **move the lever back and bring the bolt unit to the open and locked position**
- **visually and physically inspect the combustion chamber**
- **make sure there is no bullet and that the chamber is free**  
**(if a shot was accidentally present, remove it from the chamber carefully)**
- **always pointing the barrel in a safe direction, close the shutter**
- **pull the trigger, thus bringing the weapon safely**



**S  
A  
F  
E  
T  
Y**



**IMPORTANT** BEFORE DISASSEMBLY



Move the cocking lever back until the bolt locks in the open position



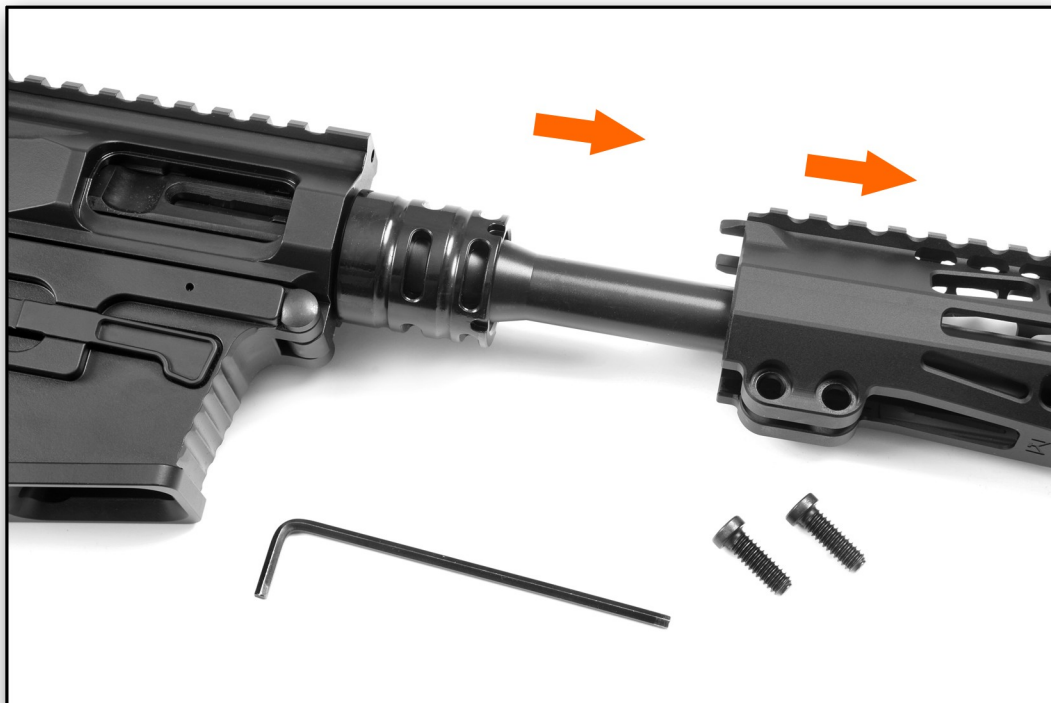
Visually and physically check that the combustion chamber is free



## DISASSEMBLY HANDGUARD



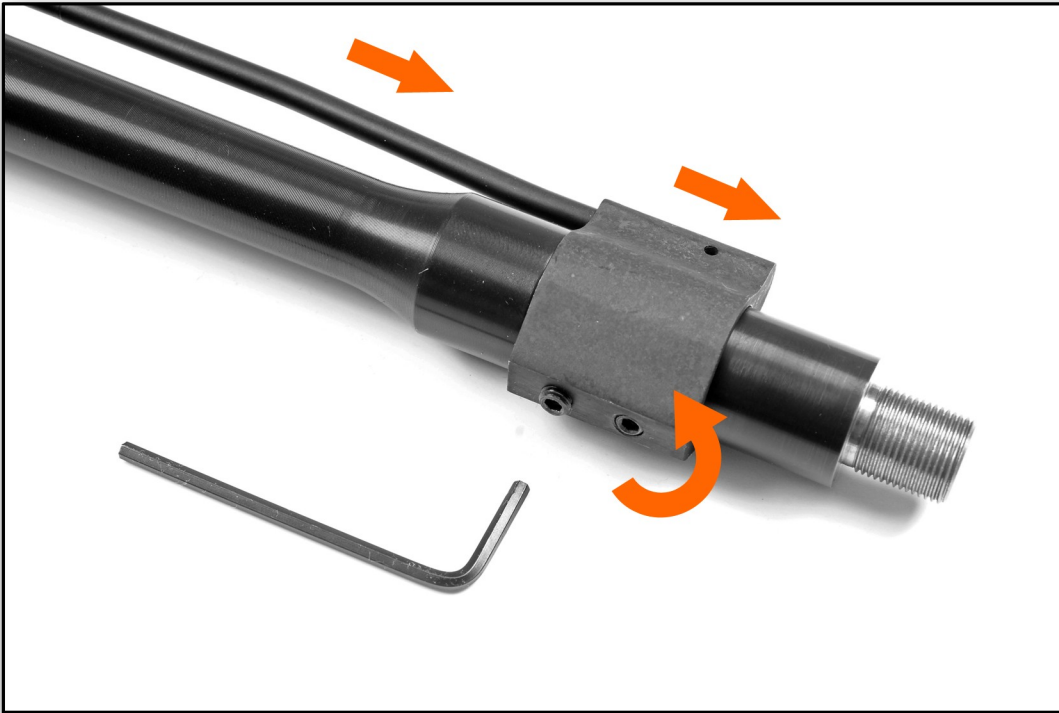
With an allen wrench unscrew all the locking screws of the handguard



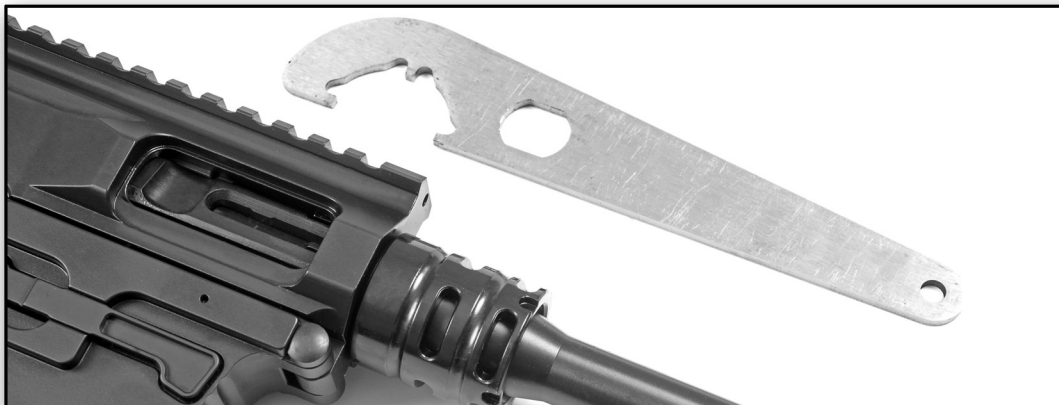
Withdraw the handguard forward and completely extract it from the barrel



## REMOVAL BARREL GOUP



Unscrew the fixing bolts of the **gas block** and slide it forward



With a special wrench, unscrew the **barrel nut** and remove the **barrel** for cleaning (this operation is recommended only if necessary)



## DISASSEMBLY UPPER AND LOWER



Push the two pins that lock upper and lower



Separate the upper from the lower for maintenance



## EXTRACTION BOLT CARRIER



Move the charging handle back about 10cm and remove the bolt carrier



Remove the charging handle completely from the upper by tilting it slightly







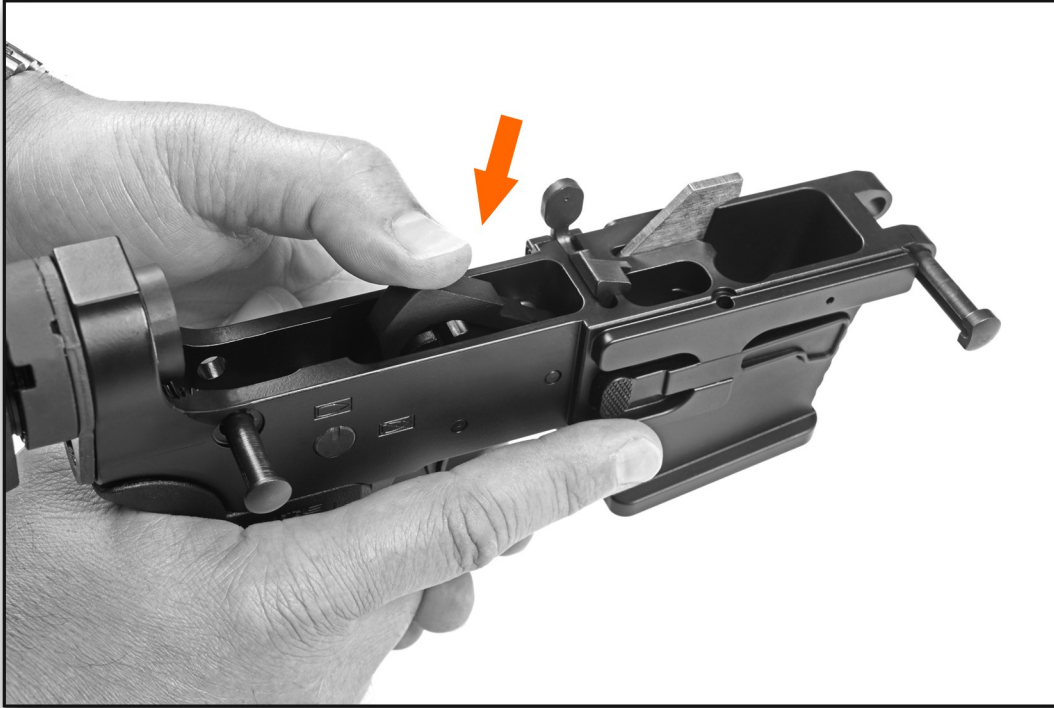
Now we have the bolt carrier ready for disassembly and maintenance



The extraction procedure of this bolt carrier is also valid for the other common calibres



## BUFFER RECOIL EXTRACTION

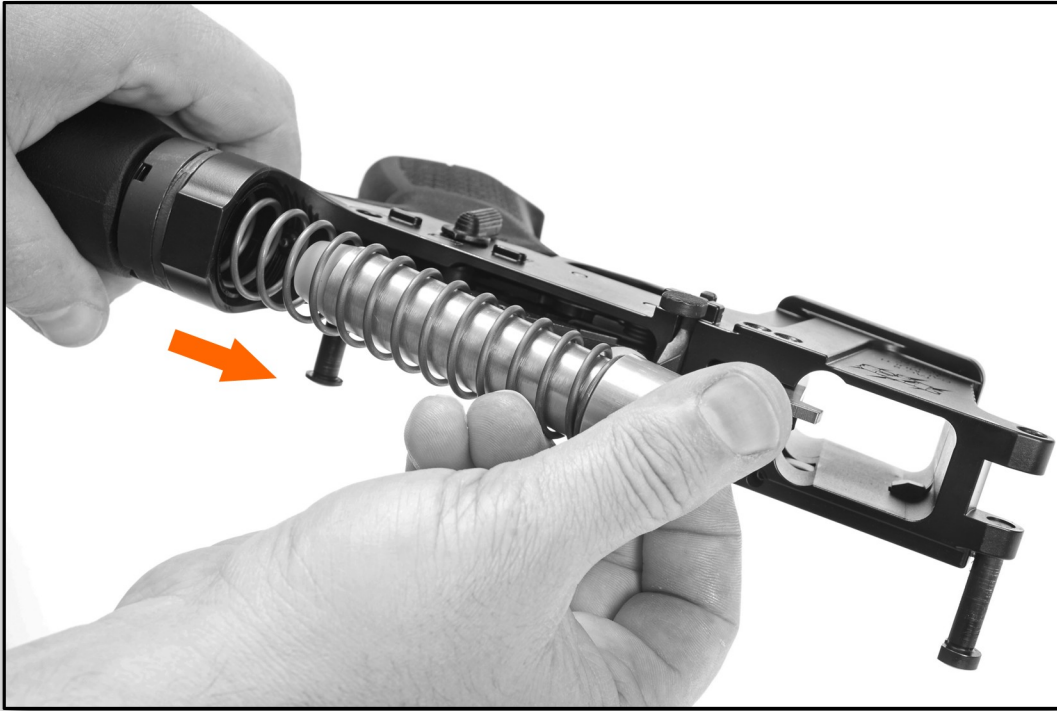


Place the hammer in the lowered position and insert the safety



Holding the buffer still and using a suitable tool, press down the spring lock pin





Now carefully extract all the spring and the buffer recoil from the tube



The rifle is now disassembled in the main parts and ready for routine maintenance





## DISASSEMBLY BOLT CARRIER (PISTOL caliber)



Remove the locking pin of the firing pin with the help of a tool



Withdraw the pin completely and release the firing pin with its spring





With a pin-chaser, push out the pin that blocks the extractor



The bolt carrier group is now ready for cleaning





## DISASSEMBLY BOLT CARRIER (CARBINE caliber)



Remove the firing pin locking pin with the help of a tool



Withdraw the pin completely and release the firing pin with its spring.  
Move the bolt completely back





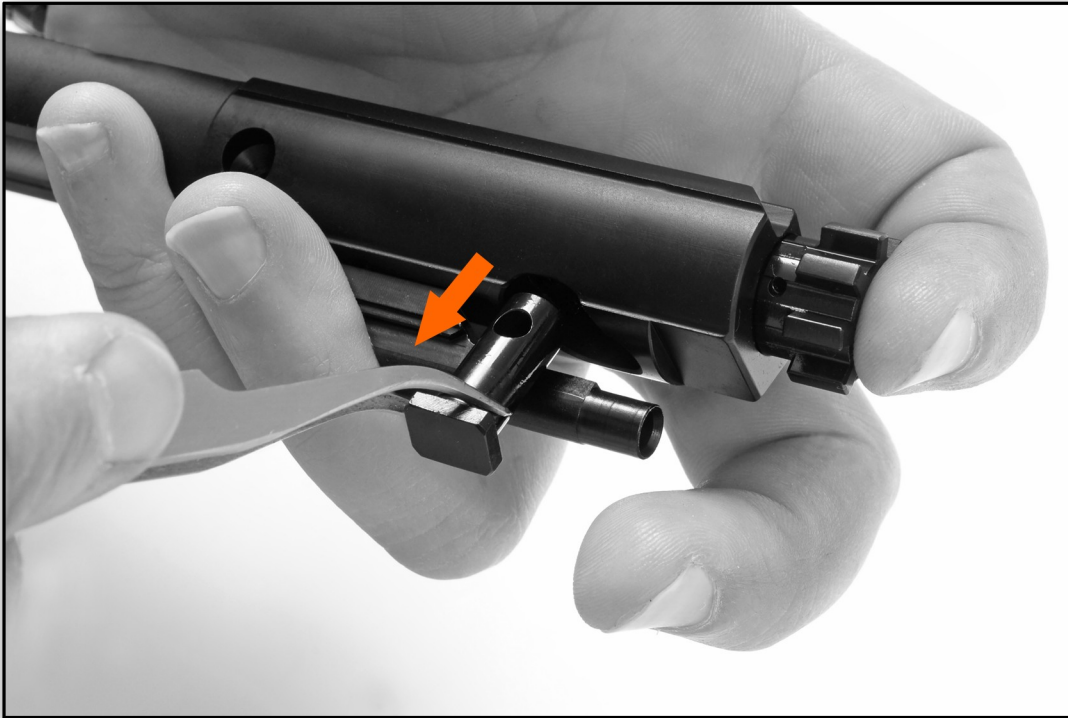


Now push the **bolt** back into the carrier  
(the **cam** now positions itself forward for the extraction phase)

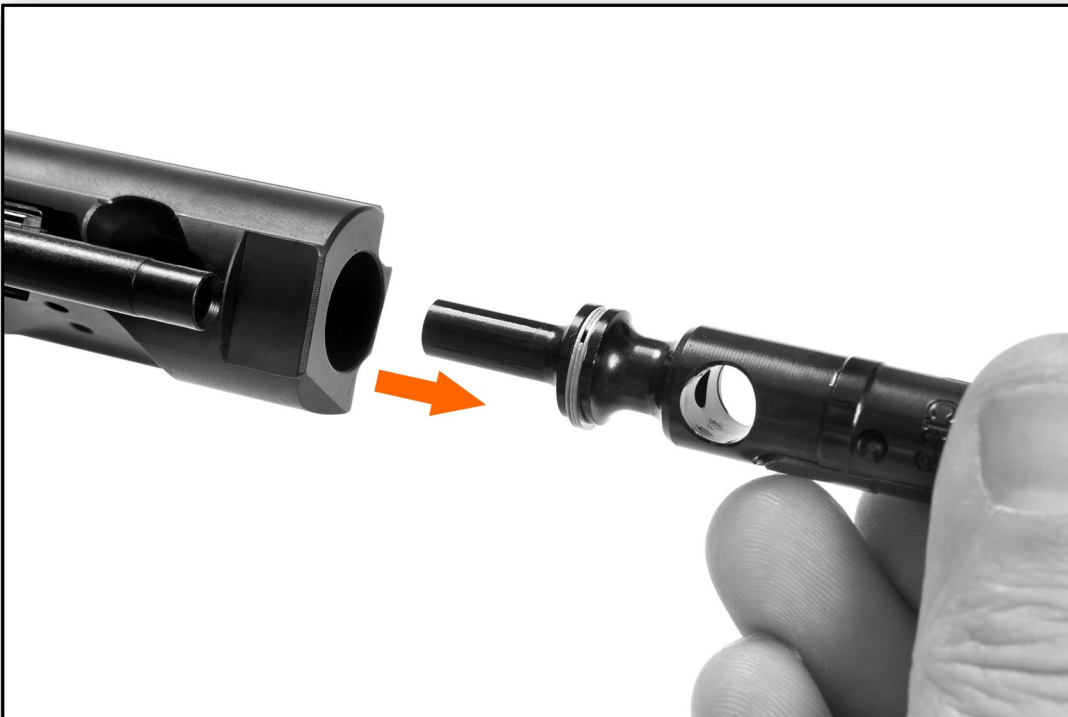


Grasp the **cam** and rotate it 90° to be able to extract it



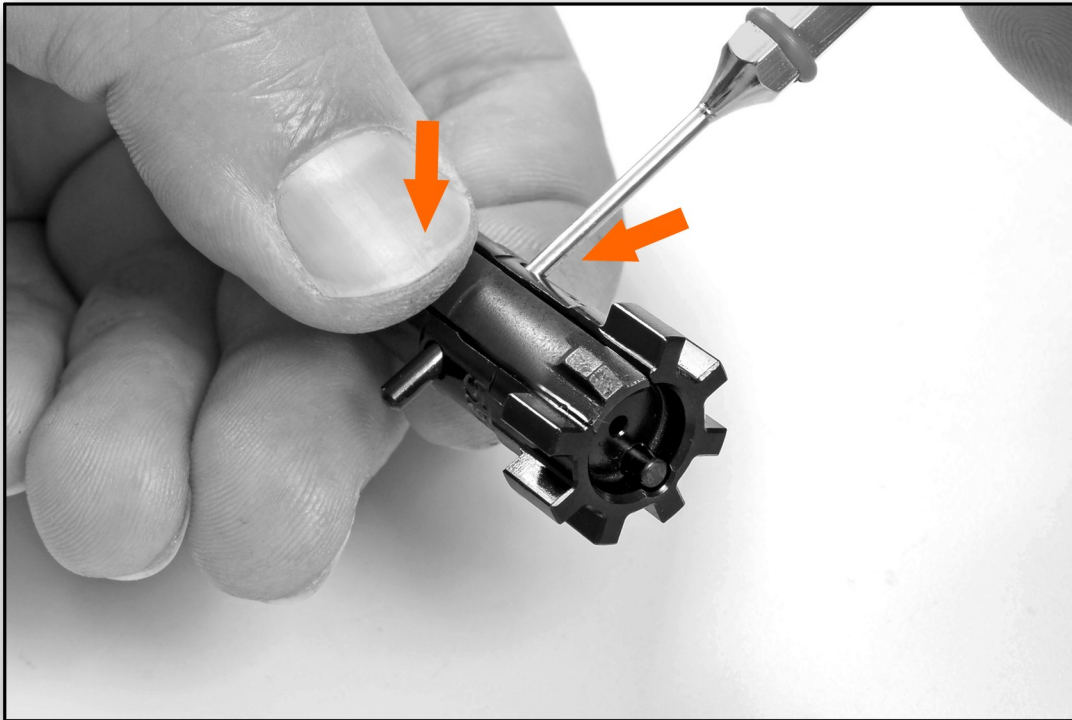


Pulling carefully, remove the cam and release the bolt



Now remove the bolt from the carrier





To disassemble the **bolt**, press the extractor with your thumb, as in the photo, and simultaneously push the fixing pin outwards with a pin punch



Now the **bolt** is completely disassembled and ready for cleaning





These are the simple main tools necessary for the standard disassembly of an AR platform

## CLEANING AND LUBRICATION

Clean with a soft cloth, pipe cleaners, lubricants / grease for weapons where necessary (ALWAYS consult an expert gunsmith for targeted advice on maintenance operations, on the materials to be used and the quantity of lubricant to be used)

## REASSEMBLING THE WEAPON

Reassemble the rifle following the instructions in this manual backwards, doing a lot pay attention to the procedures listed above all in the assembly of the shutter unit (IMPORTANT remember to insert the cam in the bolt to avoid breakage or harmful explosions)

For information or clarifications regarding this manual or on the maintenance of our rifles contact us, the technical staff of TACTICAL73 is always available for its customers and distributors.

[www.tactical73.com](http://www.tactical73.com)





ph. spartandefense.eu

Registered office  
Piazza Michelangelo, 3  
10078 - Venaria Reale (TO)  
ITALY

Office & Show Room  
Via Lanzo, 34  
10040 - Val della Torre (TO)  
ITALY

Tel: +39 011 0461027  
+39 011 0267113  
Fax: +39 011 19585715

www.tactical73.com  
info@tactical73.com  
VAT 10406430016



**FIREARMS ENTHUSIAST SHOP**



**AR15 - AR10 - AR9 - PISTOLS**

**"FOR SPORT AND TACTICAL."**

